

## RS Series

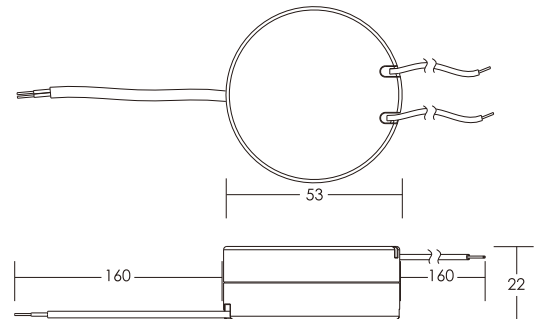
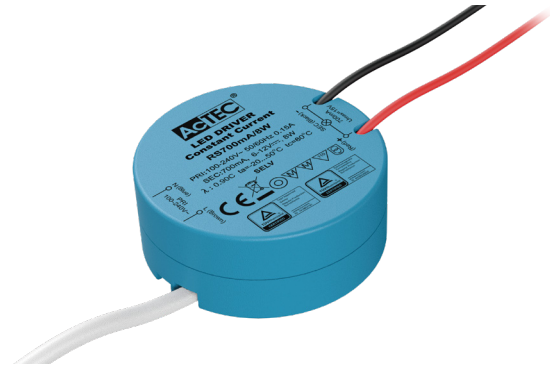
## Constant Current LED Driver

LED恒流驱动器

## Features:

- Primary and secondary sides come with leads
- Protections: opencircuit, shortcircuit, overload, overtemperature
- Simple installation
- SELV equivalent
- Protection class II

- 输入和输出端引线型
- 输出开路, 短路, 过载和超温保护
- 安装经济便捷
- 符合安全特低电压标准
- 保护等级 II



## Parameters:

Model No. 型号	Input voltage 额定电压 (V)	Max. output 功率 (W)	Output current 输出电流 (mA)	Output voltage 输出电压 (V)	Power factor 功率因数 (λ)	Efficiency 效率 (%)	No-load power 空载功率 (W)	Ambient temperature 环境温度 ta (°C)	Max. casing temperature 最大外壳温度 tc (°C)	Isolation 隔离	Dimensions DxH 尺寸 (mm)	Weight 重量 (g)
RS350mA/8W	100-240	8	350	9-23	0.90C	80	<0.3	-20...+50	80	SELV	53x22	50
RS500mA/8W	100-240	8	500	6-16	0.90C	77	<0.3	-20...+50	80	SELV	53x22	50
RS700mA/8W	100-240	8	700	6-12	0.90C	78	<0.3	-20...+50	80	SELV	53x22	50
RS350mA/9W	100-240	9	350	2-26	0.50C	81	<0.3	-20...+50	80	SELV	53x22	50
RS500mA/9W	100-240	9	500	2-18	0.50C	79	<0.3	-20...+50	80	SELV	53x22	50
RS700mA/9W	100-240	9	700	2-13	0.50C	79	<0.3	-20...+50	80	SELV	53x22	50



CB CE