

SM06A

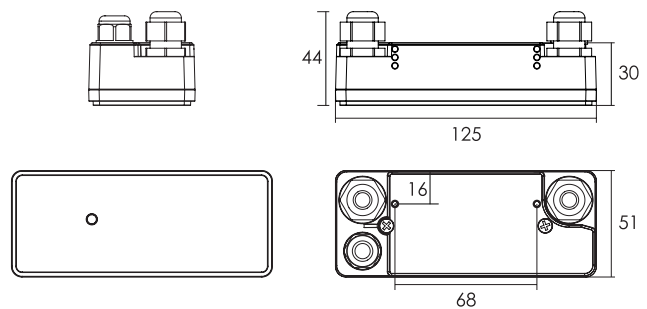
HF Motion Detector

微波感应器

Features:

- 1-10V output control
- Combine Daylight & High frequency motion detection in one unit to achieve on/off control
- 360° detection angle
- Detection range, hold time, standby time, and daylight threshold can be preset
- IP65 design

- 1-10V 输出控制
- 集光敏和高频动作检测于一体的微波移动感应控制开关
- 360度探测范围
- 用户可预设感应范围、保持时间、延时间和光敏感应
- IP65等级设计



Parameters:

Rated supply voltage 输入额定电压	220-240V~
Frequency 额定频率	50/60Hz
Load wattage 负载功率	Max. 500W
Standby power 待机功率	<0.5W
Microwave frequency 微波频率	5.8GHz
Transmission power 微波功率	<0.2mW
Detection area 感应范围	6m x 10m (Ø x H)
Detection Sensitivity 范围调节	50%/100%
Hold time 保持时间	5s~30min
Standby time 延长时间	0s~30min+∞
Standby dimming level 延时亮度	10%~50%
Daylight threshold 光敏感应	50lux/Disable
Dimensions LxWxH 尺寸	125x61x44mm
Fixing centre 安装孔距离	68mm
IP rating IP等级	IP65
Electrical connection 电器连接	0.75mm ² ~2.5mm ²

